

LL120 Single Channel 0 - 20mA Fibre Interface

Illustration

General

The LL120 is a single channel 0 - 20 or 4 to 20mA on fibre system. The LL120T is the transmitter and the LL120R is the receiver. The transmitter will accept currents from 0 - 20 mA and convert it to an optic signal.. The LL120R will receive the optic signal and convert it back to a current signal.

The units will work over distances of up to 3 km. It is used to transmit Peripheral information to a remote point.

It is a self contained unit. It has a accurate built in load to monitor the incoming current source and will reproduce the exact current at the remote side. This unit is not affected by temperature changes or optic fibre length.

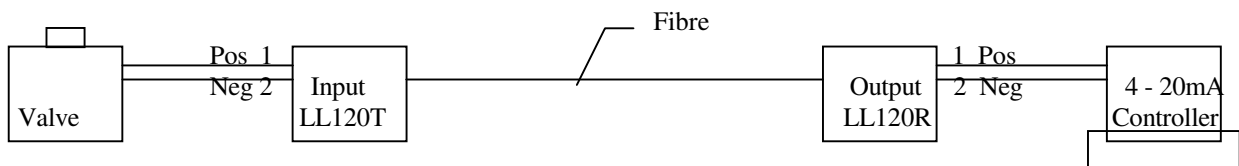
Features

- Small, lightweight and attractive
- Metal case with captive screws.
- Screw terminal connection..
- Easy to install
- Transmission on fibre does not change with distance.
- Range up to 3 km.

Use

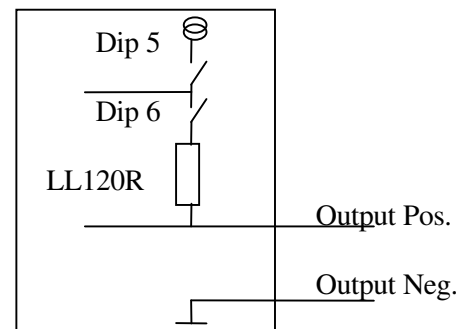
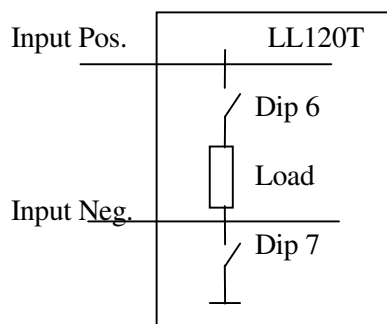
- It is mainly used as to isolate equipment and prevent electrical interference.
- It serves to extend the range of a the current signal .

Connection:



Dip Switch Settings:

Dip Switch	ON	OFF
Dip 1	Transmitter set on LL120T	Receiver set off for LL120R
Dip 2	Normally on for transmitter	Dip 2 & 3 sets up a test current.
Dip 3	Normally on for transmitter	1-0=4mA, 0-1=12mA, 00=20mA.
Dip 4	N/A	N/A
Dip 5	Default Receiver	Default Transmitter
Dip 6	Default. Transmitter & Receiver	Input senses Voltage not Current.
Dip 7	Default Transmitter	Default Receiver.
Dip 8	N/A	N/A



LL120 Single Channel 0 - 20mA Fibre Interface

Specifications.

Electrical characteristics.

Power supply :

- 220VAC 2Watt or

Refresh rate LL120:

- 960 samples / sec (nominal)

Electrical interface :

- 0 - 20 mA positive current.
- reference to negative input.
- Load 250 Ohm.

Input Offset to ground:

- maximum 5V.

Accuracy:

- 100uA deviation

Fibre requirements

Fibre type :

- Multi mode

Fibre power budget :

- 12 dB

Operating distance :

- 3 km (Max)

Physical characteristics.

Size :

- 70mm x 54mm x 16mm.

Weight :

- 100 grams.

Enclosure material :

- Metal.

Colour :

- grey.

Identification :

- sticker with ADD logo and product identification.

Environmental conditions.

Normal operating conditions : 0 - 45 degrees Celsius.

95% relative humidity or lower @ 25 degrees Celsius.

Non condensing.

Model Options.

LL120*-850sr-SMA

Stock codes

LL120*AB

* = 'T' Transmitter 'R' Receiver.