

LL120 LL122 Single Channel 0 - 20mA Fibre Interface

Illustration

General

The LL120 is a single channel 0 - 20 or 4 to 20mA on fibre system. The LL120T is the transmitter and the LL120R is the receiver. The transmitter will accept currents from 0 - 20 mA and convert it to an optic signal.. The LL120R will receive the optic signal and convert it back to a current signal.

The LL122 is a single channel full duplex current mode communication channel it can handle baud rates of nominally 9600 Baud. The unit is specifically used in TTY communications and operates on a 0 and 20 mA signal.

The units will work over distances of up to 3 km. It is used to transmit Peripheral information to a remote point.

It is a self contained unit. It has a accurate built in load to monitor the incoming current source and will reproduce the exact current at the remote side. This unit is not affected by temperature changes.

Features

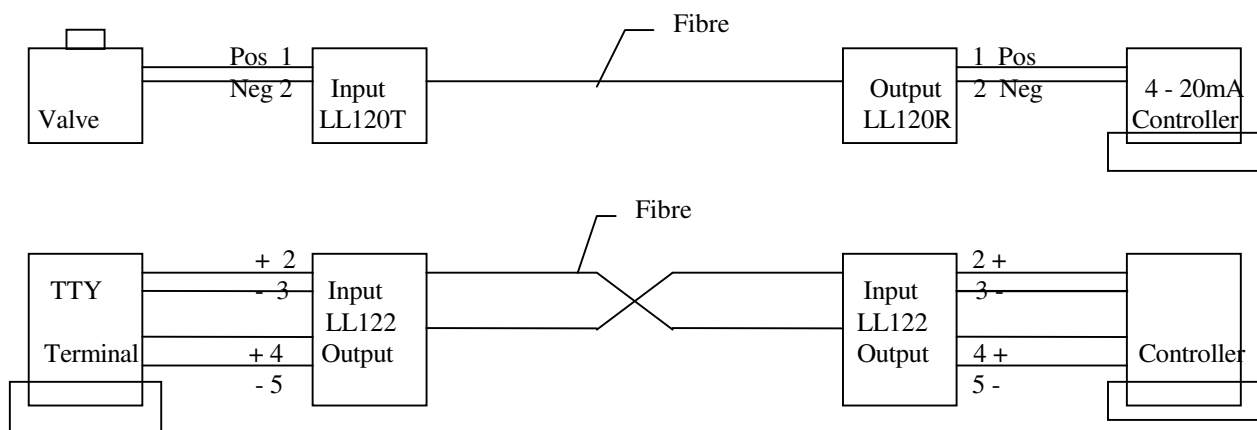
- Small, lightweight and attractive
- Robust plastic case with captive screws.
- DB25 connection..
- Easy to install
- Transmission on fibre does not change with distance.
- Range up to 3.6km.

Use

- It is mainly used as to isolate equipment and prevent electrical interference.
- It serves to extend the range of a the current signal .
- The LL122 is used in full duplex communication

- .

Connection:



LL120 LL122 Single Channel 0 - 20mA Fibre Interface

Specifications.

Electrical characteristics.

Power supply :

- 220VAC 2Watt
- +15V(min) to +30V(Max)
- 50mA (min)
- Positive power input is the right hand connection on the power connector
or pin 9 on DB25 connector
- Pin 7 is negative.

Refresh rate LL120:

- 960 samples / sec (nominal)

Baud rate LL122:

- 9600 baud nomally

Electrical interface :

- 0 - 20 mA positive current.
- reference to negative input.

Offset to ground:

- maximum 5V.

Pin connections LL122:

- pin 1 (case ground) and
- pin 2 (signal positive input)
- pin 3 (signal negative input)
- pin 4 (signal positive output)
- pin 5 (signal negative output)
- pin 7 (Power supply Gnd .)
- pin 9 (Power supply input Pos.)

Fibre requirements

- Fibre type : - Multi mode
Fibre power budget : - 12 dB
Operating distance : - 3,6 km (Max)

Physical characteristics.

- Size : - 70mm x 54mm x 16mm.
Weight : - 46 grams.
Enclosure material : - plastic.
Colour : - grey.
Identification : - sticker with ADD logo and product identification.

Environmental conditions.

- Normal operating conditions : 0 - 45 degrees Celsius.
95% relative humidity or lower @ 25 degrees Celsius.
Non condensing.

Model Options.

LL120*-850sr-SMA

LL122*-850sr-ST

Stock codes

LL120*AB

LL122AB

* = 'T' Transmitter 'R' Receiver.