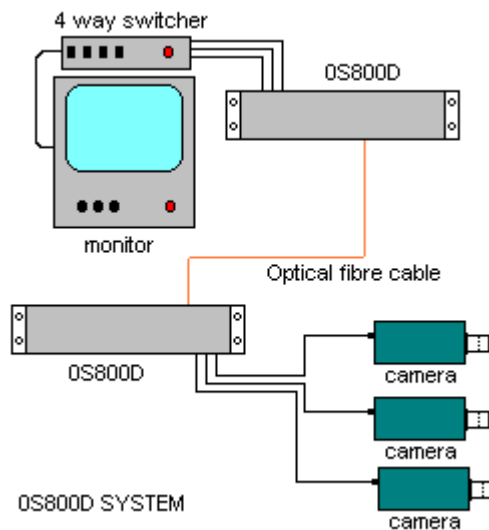


Title: OS800 CCTV Video/Data/Voice on Fibre System

Product number: OS800S/D/2D

Brochure Number: OS800S/D/2D



General:

The OS800 series are 3U, 19" racks equipped with backplane and power supplies, designed to accept 3 channel video transmitter and receiver cards, as well as a range of voice and data cards.

The backplane comes in three variations viz.:

OS800S - accepts 6 cards and 1 PSU
OS800D - accepts 12 cards and 1 PSU

OS 8002D - accepts 12 cards and 2 PSUs
The OS800 series are not multiplexers and each channel will require its own optical fibre.

The following list of cards are designed to fit the OS800 frame:

- OS607 - 2 ch voice on fibre(4 wire only)
- OS803T - 3 ch video on fibre transmitter
- OS803R - 3 ch video on fibre receiver
- OS805T - 4 ch data on fibre transmitter
- OS805R - 4 ch data on fibre receiver
- OS807 - 1 ch voice on fibre (2/4 wire)
- OS808 - 8 channel contact echo, Tx&Rx (requires 2 slots)
- OS823T - 2 ch video Tx & data Rx
- OS823R - 2 ch video Rx & data Tx
- OS8422 - 2 ch RS422/485 data on fibre

Features:

19" rack mountable
Exchangeable card options

Uses:

It is mainly used in large video surveillance and security systems to monitor and control movement in remote areas.

Specifications:

Electrical:

Power Supply:

110/220Vac 50/60Hz 5 watt, 48Vdc 5 watt

Physical dimensions:

Depth: 180mm, Height: 130mm

Width: 480mm, Weight: 2.5kg

Indicators:

Power

Environmental conditions:

Temperature: 0-45 degrees C

Humidity: 0-95% non-condensing